

---

# VMware vSphere® 5 Installation Guide for Compute Blade

August, 2011

MK-99COM043-00

**Contents**

- 1. Introduction ..... 1
  - 1.1. About this document ..... 1
  - 1.2. Target Software ..... 1
- 2. Installing ESXi ..... 2
  - 2.1. Preparation for installation of ESXi ..... 2
  - 2.2. Installing ESXi ..... 2
- 3. Setting up ESXi ..... 4
- 4. Setting up a management PC ..... 5
- Change history ..... 6

《Display to the other companies ownership name》

- VMware, VMware vSphere, ESXi, VMware vCenter, vMotion are registered trademarks or trademarks of VMware, Inc. in the United States and/or other jurisdictions.
- Linux is a registered trademark or trademark of Linus Torvalds in the United States and/or other jurisdictions.

## **1. Introduction**

### **1.1. About this document**

This document explains about the installation of ESXi, and the setup procedure and notes for ESXi Administrators. If you want to know more detail information, please refer to following URL.

<VMware vSphere Documentation>

<http://www.vmware.com/support/pubs/vsphere-esxi-vcenter-server-pubs.html>

### **1.2. Target Software**

The target software and software of this document are as below.

- VMware vSphere 5.0
- ESXi 5.0
- vCenter Server 5.0
- vSphere Client 5.0

## 2. Installing ESXi

This chapter explains about the operation to install ESXi on the Server system.

### 2.1. Preparation for installation of ESXi

Please follow the steps before installing ESXi.

- (1) Confirming the procedure for booting the Server system from CD-ROM/DVD-ROM drive

The procedure for booting from CD-ROM/DVD-ROM drive is different according to server systems.

Please confirm the procedure for booting the Server system from CD-ROM/DVD-ROM drive.

- (2) Preparing for installation media

Please get Hitachi Custom Image from VMware Web Site.

< VMware Web Site >

<http://www.vmware.com/>

There are ISO images of servers each company. Please download the ISO image for the target server.

(hitachi custom image name:VMware-ESXi-<esxi version>-<build>-hitachi-<hitachi version>.iso )

### 2.2. Installing ESXi

ESXi is installed by using the console of Server system.

- (1) Please insert the media of downloaded image in CD-ROM/DVD-ROM drive, and power on the Server system.

The following screen is displayed when the Server system is booted from CD-ROM/DVD-ROM drive.

Then please select the media of "VMware® ESXi™ 5.0". And please proceed with the installation according to the message of display.



(2) When the following screen is displayed, the Installation are completed.



### 3. Setting up ESXi

This chapter explains about the Setting up ESXi on the Server system.

If you enter [System Customization] menu by pressing [F2] key at the ESXi boot screen, you can change the root password, configure the network for management, and you can refer to the system log.

If you configure the network for management, you can manage the basic operation such as creating a virtual machine via vSphere Client and vCenter Server.



#### **Caution :**

You must install VMware Tools to operate a guest OS stable. And if you install VMware Tools to a Linux guest OS, please make sure to run vmware-tools-config.pl script after installation of VMware Tools.

After installation of VMware Tools, please reboot the guest OS.

And please make sure to use the latest version of VMware Tools.

#### **Note :**

The way to install VMware Tools is different according to the guest OS. Please refer to the following document released by VMware, Inc for more information.

<Installing and Configuring VMware Tools>

<http://www.vmware.com/pdf/vmware-tools-installation-configuration.pdf>

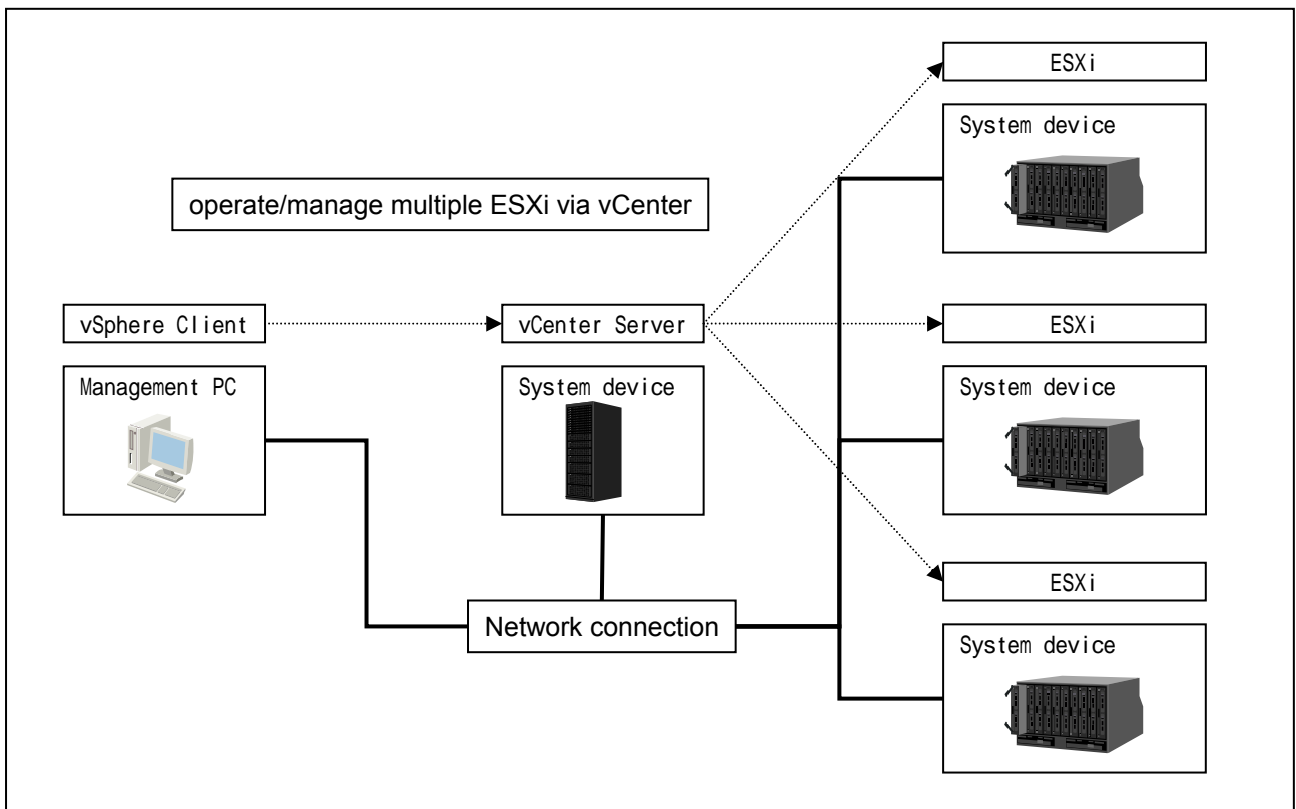
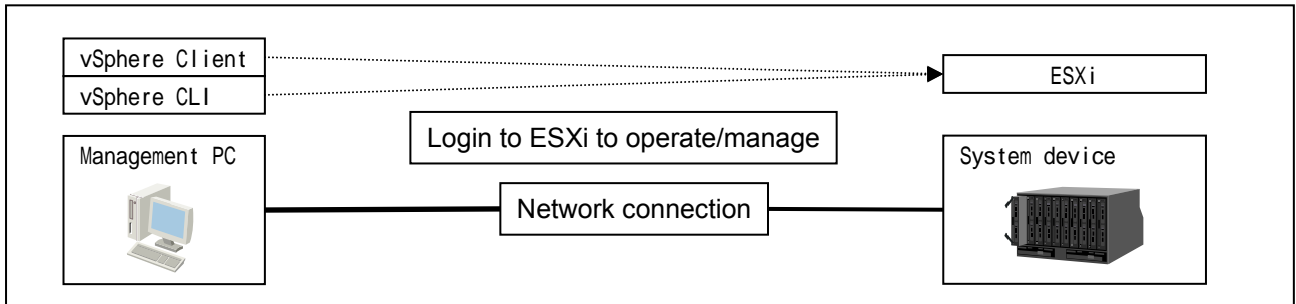
Document Name : Virtual Machine Management Guide

#### 4. Setting up a management PC

This chapter explains the procedure of setting up a management PC.

In order to operate and manage ESXi or vCenter Server, it is necessary to install vSphere Client on a management PC which is connected to the Server systems that ESXi or vCenter Server is installed on.

And if you install vSphere CLI on a management PC, you can backup/restore of configuration information.



**Note :**

vCenter server is operated/managed by vSphere CLI.

Please refer to the following URL for the Installer, how to install, and the hardware requirements and use of a management PC.

< vSphere Installation and Setup >

<http://pubs.vmware.com/vsphere-50/topic/com.vmware.ICbase/PDF/vsphere-esxi-vcenter-server-50-installation-setup-guide.pdf>



**Change history**

New	August 2011	New opening
-----	-------------	-------------

Concluded