



Hitachi Compute Blade CB2500 1000Base-T 4-port LAN Adapter User's Guide

FASTFIND LINKS

[Getting Help](#)

[Contents](#)

© 2014 Hitachi, Ltd. All rights reserved.

No part of this publication may be reproduced or transmitted in any form or by any means, electronic or mechanical, including photocopying and recording, or stored in a database or retrieval system for any purpose without the express written permission of Hitachi, Ltd.

Hitachi, Ltd., reserves the right to make changes to this document at any time without notice and assumes no responsibility for its use. This document contains the most current information available at the time of publication. When new or revised information becomes available, this entire document will be updated and distributed to all registered users.

Some of the features described in this document might not be currently available. Refer to the most recent product announcement for information about feature and product availability, or contact Hitachi Data Systems Corporation at <https://portal.hds.com>.

Notice: Hitachi, Ltd., products and services can be ordered only under the terms and conditions of the applicable Hitachi Data Systems Corporation agreements. The use of Hitachi, Ltd., products is governed by the terms of your agreements with Hitachi Data Systems Corporation.

Hitachi is a registered trademark of Hitachi, Ltd., in the United States and other countries. Hitachi Data Systems is a registered trademark and service mark of Hitachi, Ltd., in the United States and other countries.

Archivas, Essential NAS Platform, HiCommand, Hi-Track, ShadowImage, Tagmaserve, Tagmasoft, Tagmasolve, Tagmastore, TrueCopy, Universal Star Network, and Universal Storage Platform are registered trademarks of Hitachi Data Systems Corporation.

AIX, AS/400, DB2, Domino, DS6000, DS8000, Enterprise Storage Server, ESCON, FICON, FlashCopy, IBM, Lotus, MVS, OS/390, RS6000, S/390, System z9, System z10, Tivoli, VM/ESA, z/OS, z9, z10, zSeries, z/VM, and z/VSE are registered trademarks or trademarks of International Business Machines Corporation.

All other trademarks, service marks, and company names in this document or website are properties of their respective owners.

Microsoft product screen shots are reprinted with permission from Microsoft Corporation.



Contents

Preface	v
Intended Audience	vi
Release Notes	vi
Referenced Documents	vi
Document Conventions	vii
Convention for storage capacity values	viii
Getting Help	viii
Comments	viii
Outline	1-1
Installation on System Equipment	2-1
Specification	3-1



Preface

This document describes how to use the Hitachi Compute Blade CB2500 LAN adapter such as installation, connection, and handling.

This preface includes the following information:

- [Intended Audience](#)
- [Release Notes](#)
- [Referenced Documents](#)
- [Document Conventions](#)
- [Convention for storage capacity values](#)
- [Getting Help](#)
- [Comments](#)

Notice: The use of Hitachi Compute Blade CB2500 LAN adapter User's Manual and all other Hitachi Data Systems products is governed by the terms of your agreement with Hitachi Data Systems.

Intended Audience

This document is intended for personnel involved in planning, managing, and performing the tasks to prepare your site for Compute Blade installation. This document assumes the following:

The reader has a background in hardware installation of computer systems. The reader is familiar with the location where the Compute Blade will be installed, including

knowledge of physical characteristics, power systems and specifications, and environmental specifications.

Release Notes

Read the release notes before installing and using this product. They may contain requirements or restrictions that are not fully described in this document or updates or corrections to this document.

Referenced Documents

Hitachi Compute Blade documents:





- Hitachi Compute Blade 2500 SOFTWARE GUIDE

Document Conventions

This document uses the following typographic conventions:

Convention	Description
Regular text bold	In text: keyboard key, parameter name, property name, hardware labels, hardware button, hardware switch. In a procedure: user interface item
<i>Italic</i>	Variable, emphasis, reference to document title, called-out term
Screen text	Command name and option, drive name, file name, folder name, directory name, code, file content, system and application output, user input
< > (angled brackets)	Variable (used when italic is not enough to identify variable).
[] (square bracket)	Optional values
{ } braces	Required or expected value
vertical bar	Choice between two or more options or arguments
_(underline)	Default value, for example, [<u>a</u> b]

This document uses the following icons to draw attention to information:

Icon	Meaning	Description
	WARNING	This indicates the presence of a potential risk that might cause death or severe injury.
	CAUTION	This indicates the presence of a potential risk that might cause relatively mild or moderate injury.
NOTICE	NOTICE	This indicates the presence of a potential risk that might cause severe damage to the equipment and/or damage to surrounding properties.
	Note	This indicates notes not directly related to injury or severe damage to equipment.
	Tip	This indicates advice on how to make the best use of the equipment.

Convention for storage capacity values

Physical storage capacity values (for example, disk drive capacity) are calculated based on the following values:

Physical capacity unit	Value
1 kilobyte (KB)	1,000 (10^3) bytes
1 megabyte (MB)	1,000 KB or $1,000^2$ bytes
1 gigabyte (GB)	1,000 MB or $1,000^3$ bytes
1 terabyte (TB)	1,000 GB or $1,000^4$ bytes
1 petabyte (PB)	1,000 TB or $1,000^5$ bytes
1 exabyte (EB)	1,000 PB or $1,000^6$ bytes

Logical storage capacity values (for example, logical device capacity) are calculated based on the following values:

Logical capacity unit	Value
1 block	512 bytes
1 KB	1,024 (2^{10}) bytes
1 MB	1,024 KB or $1,024^2$ bytes
1 GB	1,024 MB or $1,024^3$ bytes
1 TB	1,024 GB or $1,024^4$ bytes
1 PB	1,024 TB or $1,024^5$ bytes
1 EB	1,024 PB or $1,024^6$ bytes

Getting Help

The Hitachi Data Systems customer support staff is available 24 hours a day, seven days a week. If you need technical support, log on to the Hitachi Data Systems Portal for contact information: <https://portal.hds.com>

Comments

Please send us your comments on this document: doc.comments@hds.com. Include the document title and number including the revision level (for example, -07), and refer to specific sections and paragraphs whenever possible. All comments become the property of Hitachi Data Systems Corporation.

Thank you!

Outline

This chapter contains an outline of the LAN adapter.

- [Feature](#)
- [Supported OS](#)
- [Restriction](#)

Features

These Compute Blade CB2500 LAN adapters are installed in PCI Express (henceforth PCIe) slot of the system device. These products have the following features.

- These adapters correspond to 1000BASE-T (IEEE802.3ab)
- These adapters have the network interface connector by four ports
- These adapters are connected with Cat.5e cable
- These adapters can be installed in PCI Express x4 Slot or x8 Slot

Supported OS's

This Compute Blade CB2500 1000Base-T 4-port LAN adapter can be used with the following OS's

- Windows Server 2008 R2
- Windows Server 2012
- Windows Server 2012 R2
- Red Hat Enterprise Linux 6.5
- VMware ESXi 5.5

Restrictions

■ About PXE boot

The PXE boot is not supported in this adapter.

■ About Wake on LAN

The Wake on LAN is not supported in this adapter.

■ About iSCSI boot

The iSCSI boot is not supported in this adapter.

■ About TCP/IP Checksum Offload function of the network adapter

This LAN adapter has the TCP/IP protocol checksum calculation function that is executed on LAN controller.

It is recommended, however, to use the TCP/IP checksum calculation function that OS provides as standard, rather than to use this function. You can construct more high reliability system if the calculation function of OS side is set available.

That is because the correspondence confirmation of the packet data received from the network will be performed in the last phase of the OS protocol processing. Follow the description below to turn off the checksum function by LAN controller.

Please refer to "LAN controller function supplementation matter" of the System Equipment attachment for setup steps on each OS.

Installation on System Equipment

This chapter explains the installation of Compute Blade CB2500 LAN adapters into the system equipment.

- [Installing LAN Adapter](#)
- [Outside Appearance \(1000Base-T 4-port LAN Adapter\)](#)
- [LED Specification \(1000Base-T 4-port LAN Adapter\)](#)
- [Installation of Cable](#)

Installing LAN Adapter

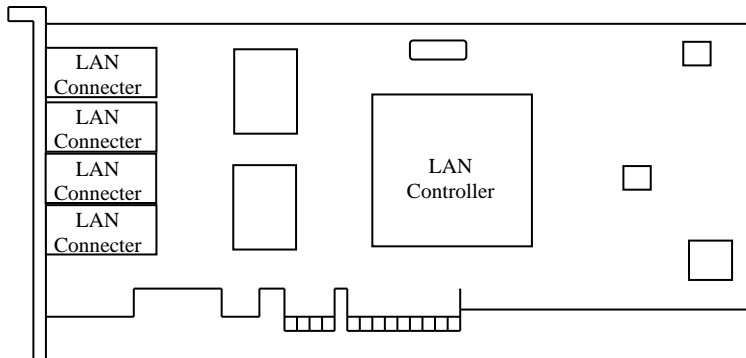
 WARNING

Addition or replacement of optional components must be performed by maintenance personnel. Do not attempt to remove the cover of the equipment. Do not attempt to install or remove optional components. Parts implemented in the system equipment are high-density, and highly complex. Operation or maintenance by inexperienced persons may lead to injury or equipment failure. When you need to add or replace optional components, contact your dealer or call maintenance personnel.

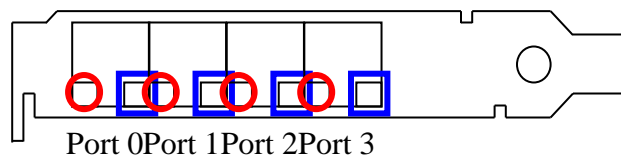
Only maintenance personnel are allowed to add each optional component to the system. Contact the reseller from which you have purchased the equipment or call maintenance personnel.

Outside Appearance (1000Base-T 4-port LAN Adapter)

- Top view



- Side view



○ : ACT、□ : LNK(10=OFF 100=GRN 1000=ORG)

LED Specification (1000Base-T 4-port LAN Adapter)

LED Mark	Color	Condition	State
ACT/LNK	---	Turn off	Power off/Link down
	Green	Blinking	Data transfer
	Green	Lighting	Link up
10/100/1000	---	Turn off	Power off/10Mbps Link up
	Green	Lighting	100Mbps Link up
	Amber	Lighting	1000Mbps Link up

Intallation of Cable

 CAUTION

Signal cables

- When wiring cables, be careful not to get caught in the cables. It could cause injury or failure of devices connected to the equipment. It could also cause loss of valuable data.

NOTICE

Signal cables

- Do not place heavy items on the cables. Avoid wiring cables close to a thermal appliance. It may cause damage to cable sheaths, resulting in failure of the connected devices.

Refer to "3-23-2 Basic Specification" for LAN cable connected with this LAN adapter.

Please don't use cables other than LAN cable.

1. Insert LAN cable to Compute Blade 2500 LAN Adapter until being locked.
2. Insert LAN cable to connection destination such as LAN switches until being locked.

Specification

This chapter describes the basic specification of the LAN adapters.

- [Basic Specification \(1000Base-T 4-port LAN Adapter\)](#)

Basic Specification (1000Base-T 4-port LAN Adapter)

The basic specifications of 1000Base-T 4-port LAN Adapter are listed below.

Item	Specification	Notes
Product Code	GG-CN4N1G1X1-Y	
LAN Controller	Intel I350	
Vender ID	8086	
Device ID	1521	
SubSystem ID	00A1	
SubVender ID	8086	
PCI Interface	PCI Express 2.0	
Lane Speed	2.5GT/s	
Number of Lane	4 line	
Connector Type	PCI Express x4	
PCI Slot Type	PCI Express x4, x8	
LAN Interface	IEEE802.3ab 1000Base-T	
Speed	10/100/1000Mbps	
Number of Port	4	
Connector Type	RJ-45	
Cable Type	Cat-6 (10/100/1000Mbps) Cat-5E (10/100/1000Mbps) Cat-5 (10/100Mbps)	
Cable	100m	Maximum
LED	ACT, LNK(10/100/1000)	2 each
Wake On LAN PXE Boot	Not supported	Not allow to use the function because it has been supported on onboard LAN already.
Applying Standard	VCCI (Class B) FCC (Class B),UL、CE、MIC	
Operating Temperature	0C ~ 55C	
Operating Humidity	0% ~ 80%	Non-condensing
Storage Temperature	-40C ~ 70C	
Storage Humidity	0% ~ 90%	Non-condensing
Power Supply	3.3V, 12V (+/-5%)	
Consumption Current	6.0W	Maximum
Dimension	H: 68.9mmxL: 135.4mmxW:21.5mm	
Weight	0.1kg Approx.	
RoHS Compliance	In compliance with RoHS regulation	Pb free

Hitachi Data Systems

Corporate Headquarters

2845 Lafayette Street
Santa Clara, California 95050-2639
U.S.A.
www.hds.com

Regional Contact Information

Americas

+1 408 970 1000
info@hds.com

Europe, Middle East, and Africa

+44 (0) 1753 618000
info.emea@hds.com

Asia Pacific

+852 3189 7900
hds.marketing.apac@hds.com



MK-99CB2500025-00